

DS-KD9203 Series

Face Recognition Door Station

UD35067B

Diagram References

1 Appearance

- ① Camera
- ② IR Supplement Light
- ③ Screen
- ④ Loudspeaker
- ⑤ Buttons
- ⑥ Microphone
- ⑦ Card Reading Area
- ⑧ Fingerprint Recognition Module
- ⑨ TAMPER

Note: The appearance of the device vary according to different model. Refers to the actual device.

2 Terminal

- LAN: Network Signal Input
- BTN1/BTN2: Exit Button Input
- 485A+/485A-: External RS-485 Card Reader
- 485B+/485B-: External Elevator Controller
- GND: Grounding
- COM1/COM2: Common Interface
- NC1/NC2: Door Lock Relay Output (Normally Close)
- NO1/NO2: Door Lock Relay Output (Normally Open)
- SEN1/SEN2: Door Contact Input
- DC 12 V: 12 VDC Power Input

- Note:
- The debug port is used for debugging only.
- Wiring description refers to the User Manual.

3 Installation

- Before you begin:
- Accessories that you need to prepare for installation: gang box.
 - Make sure the power supply meet the power requirements of the door station (12 VDC, 2 A).
 - Make sure all the related equipment is power-off during the installation.
 - Wire the cables before installation.

★ Accessory

- The dimension of the gang box is 364 mm (W) × 118 mm (H) × 40 mm (D).
- The installation hole should be larger than the actual size. The suggested dimension of the installation hole is 364.3 mm (W) × 118.6 mm (H) × 40.2 mm (D).

★ Flush Mounting

- Cave an installation hole on the wall. Pull the cable out from the wall.
- Note:
 - The suggested dimension of the installation hole is 364.3 mm (W) × 118.6 mm (H) × 40.2 mm (D).
 - The suggested length of the cables left outside is 250 mm.
- Install the gang box into the wall.
 - Remove the plastic sheet of the gang box with the tool.
 - Insert the gang box into the installation hole. Mark the gang box screw holes' position with a marker, and take out the gang box.
 - Drill 4 holes according to the marks on the wall, and insert the expansion sleeves into the screw holes.
 - Fix the gang box with 4 expansion bolts.
- Fix the gap between the gang box and wall with concrete. Remove the mounting ears with tool after concrete is dry. Connect the cables according to the Wiring Description in User Manual.
- Insert the door station into the gang box. Slide the door station down and fix it with 2 set screws. Apply Silicone sealant among the joints between the device and the wall (except the lower side) to keep the raindrop from entering.

4 Configuration

1 Activate Device

You are required to activate the device first by setting a strong password for it before you can use the device.

- Power on the device to enter the activation page automatically.
- Create a password and confirm it.
- Press # to activate the door station.

- Note:
- Enter an 8 to 16 characters admin password.
 - When entering the password, taking the numeric key 2 as example, press the numeric key 2 once, the text field shows "2", and press it again in 1.5 s, the text field shows "a", and press it again in 1.5 s, the text field shows "b", and so on.
 - Hold 0 to enter special characters.
 - Press # to confirm the password.
 - Press * to delete the password during entering.

2 Call Resident

The door station can work as main/sub door station, and outer door station, which correspond to different calling resident modes respectively.

- Call from Main/Sub Door Station
- Press number button to enter the calling page.
- Enter the room No. and press call button again to call.
- Call from Outer Door Station
- Press number button to enter the calling page.
- Enter Building No. + # + Unit No. + # + Room No. and press call button to call resident.

3 Call Center

- Press number button to enter the calling page.
- Press center button to call. Press * to cancel during calling management center.

4 Unlock Door

The device support unlock the door by presenting card, entering password, and fingerprint. Here takes unlock by entering password and unlock by presenting card for example.

- Note: You should create the password and add the card to the device first.
- Unlock by Entering Password
- Common Password
- Press number button, enter # + room No. + password + # to unlock the door.
- Public Password

Note: Create the public password via IVMS-4200 Client Software remotely first.

- Press number button, enter # + public password + # to unlock the door.

Unlock by Presenting Card

Present the card on the card reading area to unlock the door.

5 Appendix

1 Tips When Collecting/Comparing Face Picture

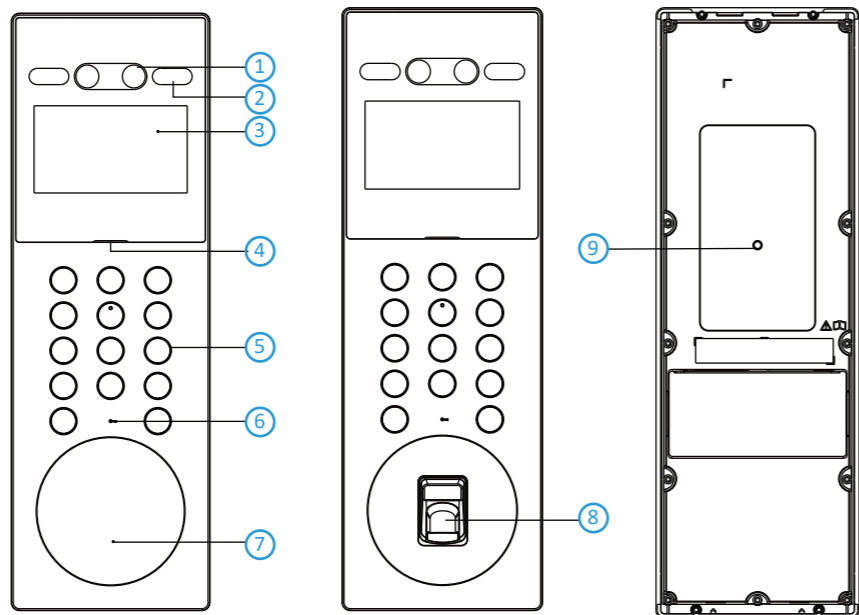
- Keep your expression naturally when collecting or comparing face pictures.
- Do not wear hat, sunglasses, or other accessories that can affect the facial recognition function.
- Do not make your hair cover your eyes, ears, etc. and heavy makeup is not allowed.
- In order to get a good quality and accurate face picture, position your face looking at the camera when collecting or comparing face pictures.
- Make sure your face is in the middle of the collecting window.
- The recommended distance when collecting/comparing face pictures is between 400 mm and 500 mm.

2 Tips When Importing Face Picture

- Picture format: JPG.
- Picture size cannot exceed 200 KB.
- A pure background color is required. White is the best.

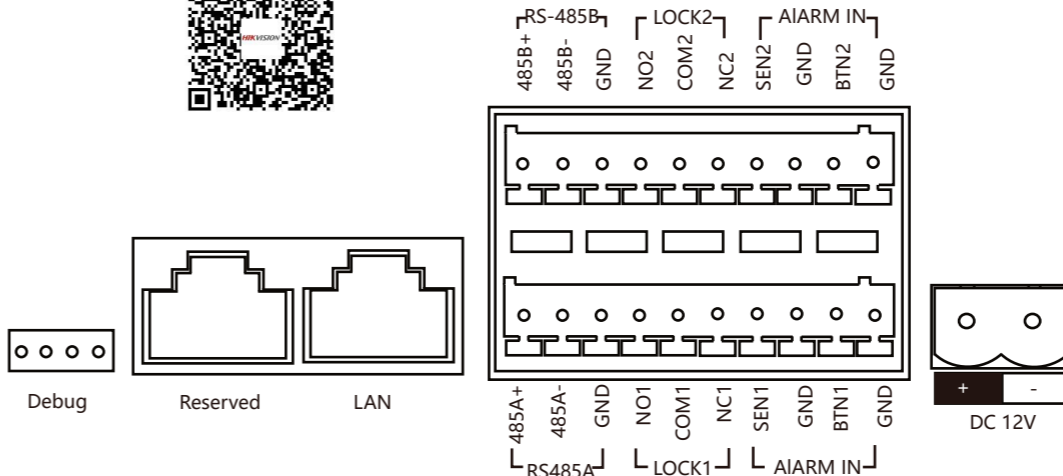
Note: The door station can be configured via IVMS-4200 Client Software remotely.

1

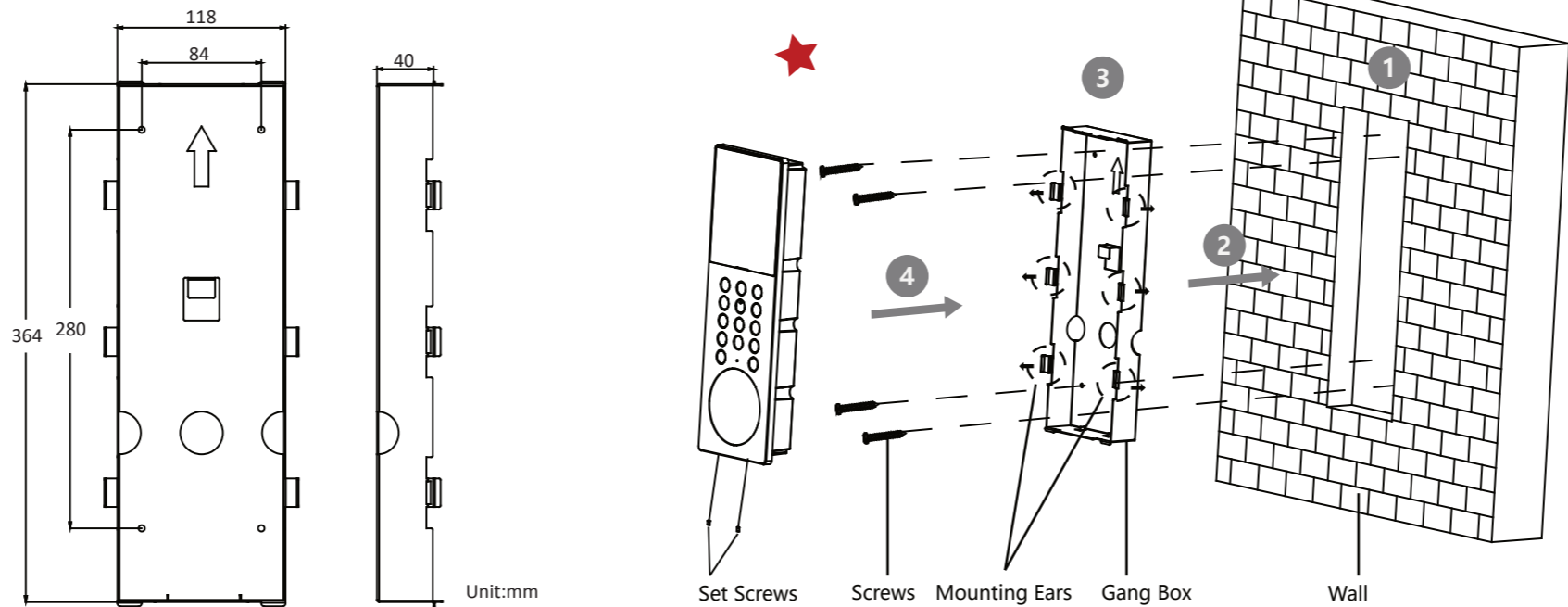


2

Scan the QR code to get the User Manual for detailed information.

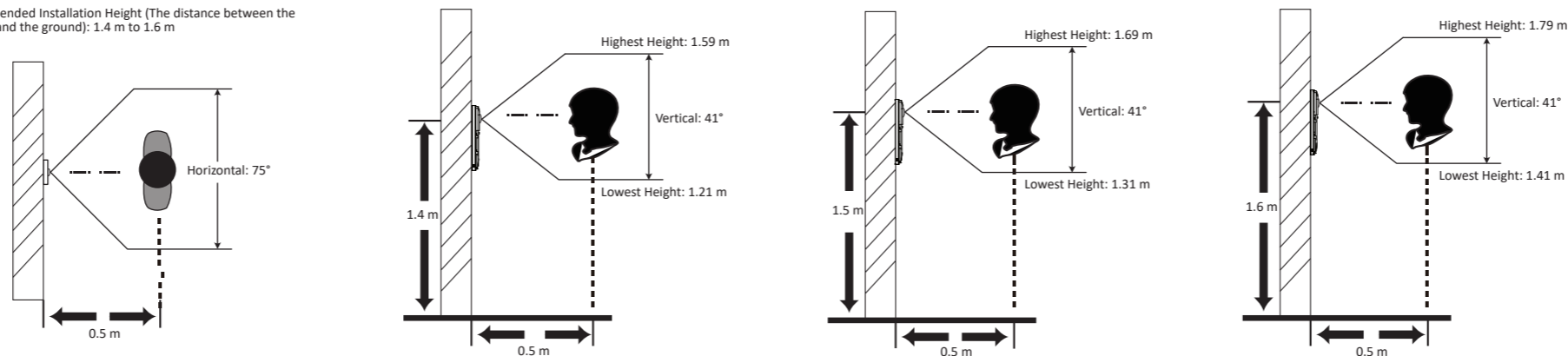


3



6

Recommended Installation Height (The distance between the camera and the ground): 1.4 m to 1.6 m



If a power adapter is provided in the device package, use the provided adapter only. If no power adapter is provided, ensure the power adapter or other power supply complies with Limited Power Source. Refer to the product label for the power supply output parameters.

Если адаптер питания входит в комплект поставки устройства, используйте только прилагаемый адаптер. Если адаптер питания не входит в комплект поставки, убедитесь, что используемый вами адаптер питания или источник питания соответствует требованиям к ограничению мощности. Выходные параметры источника питания указаны на его паспортной табличке.

Amennyiben a készülék csomagja tartalmaz hálózati adaptert, kizárólag a mellékelt adaptert használja. Ha a csomag nem tartalmaz hálózati adaptert, bizonyosodjon meg, hogy a használt hálózati adapter vagy más tápegységek megfelelnek a korlátozott áramforrásokra vonatkozó előírásoknak. A tápegység teljesítményének paramétere a termék címkéjén található.

Wenn im Lieferumfang des Geräts ein Netzteil enthalten ist, verwenden Sie nur das mitgelieferte Netzteil. Wenn kein Netzteil mitgeliefert wird, stellen Sie sicher, dass das Netzteil oder eine andere Stromversorgung den Anforderungen an eine Stromquelle mit begrenzter Leistung entspricht. Die Ausgangsparameter des Netzteils sind auf dem Produktaufkleber angegeben.

Utilizzare solo l'alimentatore in dotazione, se incluso nella confezione del dispositivo. Se l'alimentatore non è incluso, accertarsi di utilizzare un modello conforme allo standard sulle fonti di alimentazione limitate. Consultare l'etichetta del prodotto per i parametri dell'uscita di alimentazione.

Pokud je v balení zařízení dodán napájecí adaptér, použijte pouze dodaný adaptér. Pokud není napájecí adaptér dodán, zajistěte, aby napájecí adaptér nebo jiný napájecí zdroj vyhovoval požadavkům na omezený zdroj napájení. Parametry výstupu napájení viz štítek výrobku.

Ak bolo zariadenie dodané s napájacím adaptérom, použite iba dodaný adaptér. Ak napájací adaptér nie je dodaný, uistite sa, že napájací adaptér alebo iný zdroj napájania vyhovuje obmedzenému zdroju napájania. Parametre výstupu napájacieho zdroja nájdete na štítku produktu.

Si un adaptateur secteur est fourni dans l'emballage de l'appareil, n'utilisez que l'adaptateur fourni. Si aucun adaptateur secteur n'est fourni, assurez-vous que l'adaptateur secteur ou toute autre source d'alimentation est conforme à la source d'alimentation limitée. Reportez-vous à l'étiquette du produit pour connaître les paramètres de sortie de l'alimentation.

Jeżeli w pakiecie z urządzeniem dostarczony jest zasilacz, należy używać wyłącznie tego zasilacza. Jeżeli zasilacz nie jest dostarczony w pakiecie z urządzeniem, należy używać zasilacza zgodnego z wymaganiami dotyczącymi źródeł zasilania z własnym ograniczeniem (LPS, Limited Power Source). Informacje dotyczące wymaganego zasilania podano na etykiecie produktu.

Als een voedingsadapter in de verpakking van het apparaat is geleverd, mag u alleen deze adapter gebruiken. Als er geen voedingsadapter is meegeleverd, moet u ervoor zorgen dat de voedingsadapter of een andere stroombron voldoet aan de Beperkte voedingsbron. Raadpleeg het productlabel voor de parameters voor de stroomuitvoer.

Se a embalagem do dispositivo incluir um adaptador de alimentação, utilize apenas o adaptador fornecido. Se não for fornecido um adaptador, certifique-se de que o adaptador de alimentação ou qualquer outra fonte de alimentação está em conformidade com a Fonte de Alimentação Limitada. Consulte a etiqueta do produto para obter os parâmetros nominais da fonte de alimentação.

Si el paquete del dispositivo incluye un adaptador de corriente, utilice únicamente el adaptador suministrado. Si no se suministra un adaptador de corriente, asegúrese de que el adaptador de corriente u otra fuente de alimentación que utilice cumple con el límite de la fuente de alimentación. Consulte la etiqueta del producto para conocer los parámetros de salida de la fuente de alimentación.

Dacă dispozitivul se furnizează cu un adaptor de alimentare, utilizați-l numai pe acesta. Dacă nu se furnizează niciun adaptor de alimentare, asigurați-vă că adaptorul sau o altă alimentare electrică este compatibilă cu sursa de alimentare limitată. Pentru parametri de ieșire ai alimentării electrice, consultați eticheta produsului.

Hvis en strømadapter følger med i enhedens pakke, må du kun bruge den medfølgende adapter. Hvis der ikke medfølger en strømadapter, skal du sikre, at strømadapteren eller en anden strømforsyning overholder LPS (Limited Power Source). Find strømforsyningens udgangsparametre i produktets mærkat.

Cihaz paketinde bir güç adaptörü varsa, sadece verilen adaptörü kullanın. Güç adaptörü verilmediyse, güç adaptörünün veya diğer güç kaynağının Sınırlı Güç Kaynağı ile uyumlu olduğundan emin olun. Güç kaynağı çıkış parametreleri için ürün etiketine bakın.

في حال توفر محول طاقة في عبوة الجهاز، استخدم المحول المرفق فقط. في حال عدم توفر محول طاقة، تأكد من توافق محول الطاقة أو مصدر الطاقة المحدود. راجع ملصق المنتج للاطلاع على معلمات خرج مصدر الطاقة.

Якщо блок живлення входить у комплект поставки, використовуйте тільки наданий блок живлення. Якщо блок живлення не входить у комплект поставки, переконайтеся, що блок живлення або інше джерело живлення відповідає вимогам до джерел живлення обмеженої потужності. Вимоги до вихідних параметрів джерела живлення див. на етикетці виробу.

Jika adaptor daya disediakan dalam kemasan perangkat, hanya gunakan adaptor yang disediakan. Jika adaptor daya tidak disediakan, pastikan adaptor daya atau catu daya lain sesuai dengan Sumber Daya Terbatas. Lihat label produk untuk parameter output catu daya.

ကိရိယာ ထုတ်ပေးမှုတွင် ပါဝါ အခတ်ပတာ ထုတ်သွင်းပါရှိပါက ပေးထားသော အခတ်ပတာကိုသာ အသုံးပြုပါ။ ပါဝါ အခတ်ပတာ ပါရှိခြင်းမရှိပါက ပါဝါရင်းမြစ် တန်ဆာတို့နှင့် ကိုက်ညီသော ပါဝါ အခတ်ပတာ သို့မဟုတ် အခြား ပါဝါ ပေးသွင်းမှုများကို သုံးရန် ဂရုပြုပါ။ ပါဝါပေးသွင်းမှု အထွတ် တန်ဆာတို့များအတွက် ထုတ်ကုန်တွင် ရေးသားထားချက်ကို ကိုးဘားပါ။