

## DS-1279ZJ

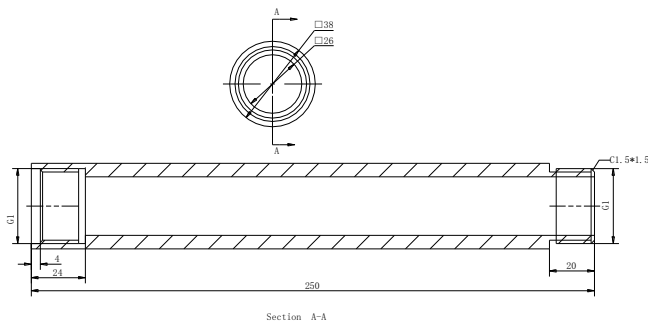
Extendable Pole for Pendant Mount



### Features:

- Aluminum alloy material with surface spray treatment
- Match up with pendant mount(DS-1271ZJ)

### Dimension:



### Order Model:

DS-1279ZJ

### Parameter:

|            |                                   |
|------------|-----------------------------------|
| Model      | DS-1279ZJ                         |
| Parameters | Extendable Pole for Pendant Mount |
| Appearance | Hikvision White                   |
| Material   | Composite Fibre                   |
| Dimension  | Φ 38×250mm                        |
| Weight     |                                   |

**Note:** The actual dome camera may vary from the picture above.